

GEN II SUPER

THE FUTURE OF COOL

The Ultimate In Climate Control Technology!

GEN-II SUPER COOLER SYSTEMS

Come complete with:
Evaporator and
Mounting Brackets

4 Lever Controls
and Wiring

Louvers

A/C Duct Hose

Drain Kit

Heater Control Valve

Defrost Option
Includes Hoses
and Ducts

Choose Standard In-Dash
or Under Dash Controls.

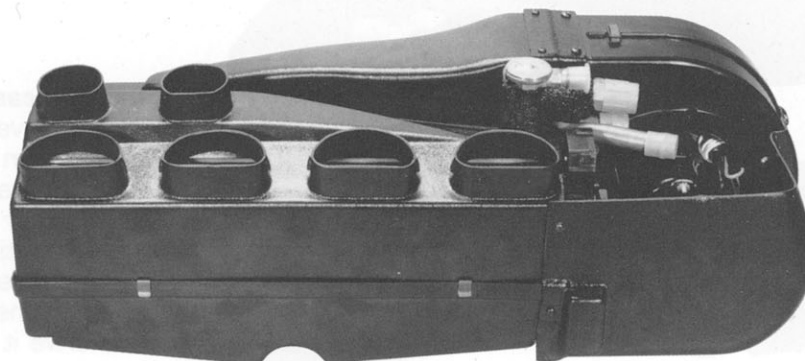


GEN-II Super Cooler comes with our new 4-Lever dash mounted control panel. Horizontal or vertical style. (See page 29 for details)



New! - 49200-RHA
Standard 4-knob pod
for under dash or hidden
control installation.

Patents
Pending



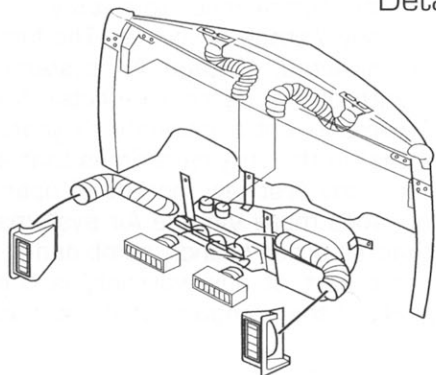
61005 Series - GEN-II Super Cooler - Specify Heat & Cool or Heat, Cool & Defrost model.

THE ABSOLUTE PERFORMANCE LEADER! State of the art GEN-II servo motor control technology is now incorporated into our most popular heat & cool system. Amazing performance is achieved with the GEN-II Super's new "D" shaped air outlets. As an added benefit, you can position all 4 louvers wherever you need them. The ideal system for the largest sedans and wagons. Features true bi-level operation in cool and heat modes and a more powerful dehumidified defroster mode. **Now features servo-actuated heater valve!**

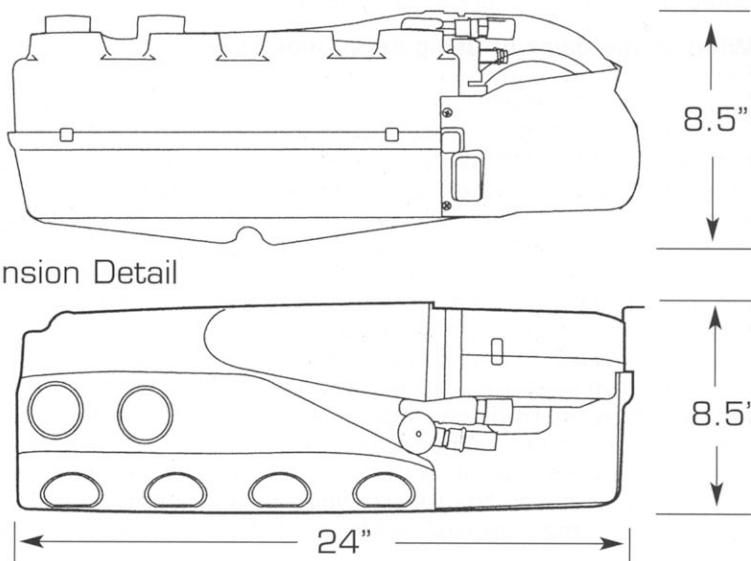
GEN-II Technology Benefits:

- High torque screw-drive servo motors control all butterfly airflow doors.**
Increased travel on these doors allows much greater airflow. Immediate response to control input and superior door sealing over vacuum controls. No reliance on engine vacuum (important with high performance engines!).
- Re-engineered heating/cooling coil.**
Increases cooling capacity by over 20%, and heating capacity by over 100%!
- Re-engineered and computer aided design of evaporator case.**
Optimized internal case design allows significant airflow volume increases. Increased capacity and control of dehumidified defroster airflow. Blower fan motor isolated on rubber mounts for quiet running and longer life.

Installation
Detail



Dimension Detail



SHOP TOUR

Vintage Air is constantly improving and reinventing performance climate control technology. Most of our product design and engineering is done on our computers using Pro Engineer CAD modeling software. This allows us to "virtually" test thousands of ideas and performance criteria before ever building a prototype system. We don't sell any product until it has been proven to perform.

