

MINI SLIM LINE UNDER DASH SYSTEM



MINI SLIM LINE SYSTEMS

Come complete with:

*Under Dash
Evaporator and
Mounting Brackets*

Controls

Drain Kit

10300-VUY-A *Cool only*
Driver side fittings

10300-VUX-A *Heat & Cool*
Driver side fittings

10301-VUY-A *Cool only*
Passenger side fittings

10301-VUX-A *Heat & Cool*
Passenger side fittings

10400-VUY-A *Cool only*
Driver side fittings - Black louvers

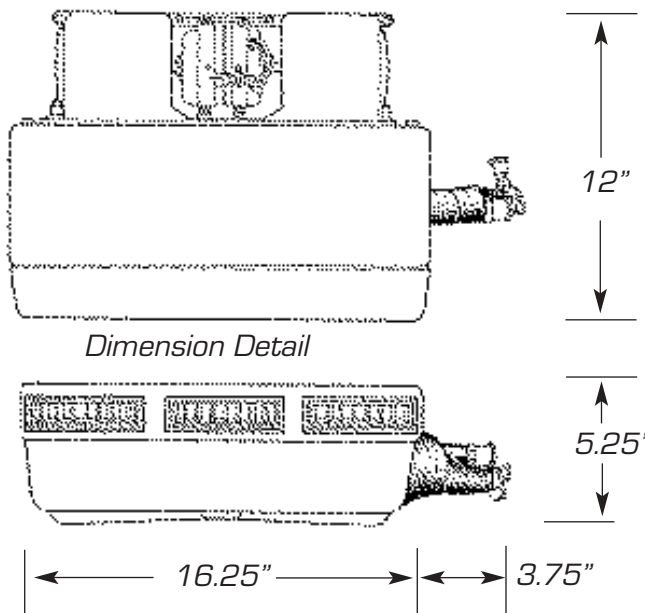
10400-VUX-A *Heat & Cool*
Driver side fittings - Black louvers

10401-VUY-A *Cool only*
Passenger side fittings - Black louvers

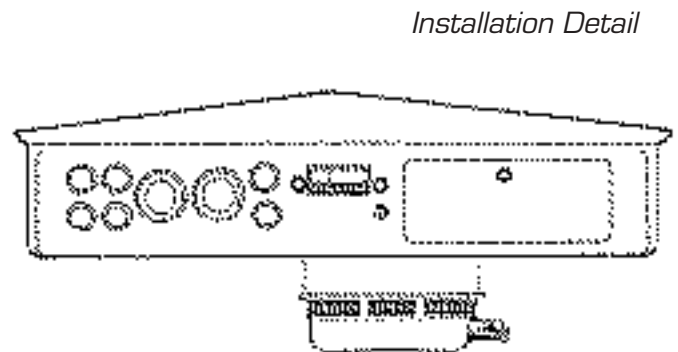
10401-VUX-A *Heat & Cool*
Passenger side fittings - Black louvers

SMALLEST BELOW DASH UNIT A simple solution to a/c installation. This system has been engineered by Vintage Air with a matched blower motor and blower wheel to provide exceptional cooling capacity and air delivery. Choose driver side or passenger side connections.

CONTROLS Uses standard under dash control pod.



Dimension Detail



Installation Detail

Under dash mounting doesn't disturb any of the behind-the-dash components such as radios or original heating systems.

Vintage Air's complete in-house engineering, design, and production facility ensures that you get a well designed, tested, and proven system because we control quality at every step.

Mounting

Engineering



RESEARCH AND DEVELOPMENT

Research and development has become one of the most important departments at Vintage Air. Whether it's an all new application or refining one of our existing systems, Peter, Hugo, Brandon, Jim, Ryan and BeBe are constantly working to improve Vintage Air's customer satisfaction.